



MediaMaster® 105

OWNER'S MANUAL



FCC COMPLIANCE STATEMENT

This equipment has been tested and found to comply with the limits of Part 15 of the FCC Rules. These limits are designed to provide reasonable protection against harmful interference in a residential installation. This equipment generates, uses and can radiate radio frequency energy and, if not installed in accordance with the instructions, may cause harmful interference to radio communications. However, there is no guarantee that interference will not occur in a particular installation. If this equipment does cause harmful interference to radio or television reception, the user is encouraged to try to correct the interference by one or more of the following measures:

- Reorient or relocate the receiving antenna.
- Increase separation between the equipment and the receiver.
- Connect the equipment to an outlet on a circuit different from that to which the receiver is connected.
- Consult the dealer or an experienced radio/TV technician for help.

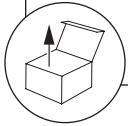
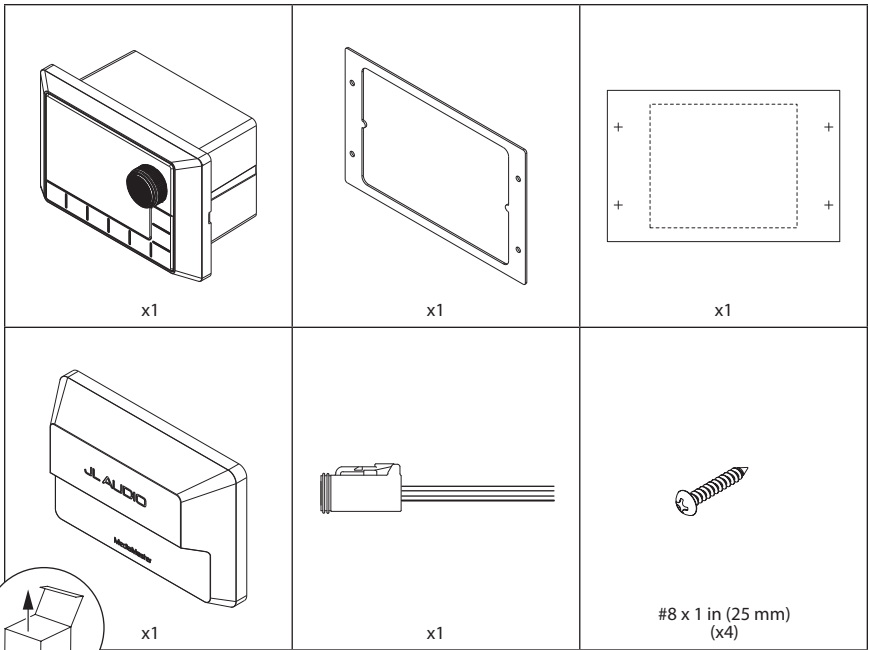
Any changes or modifications not expressly approved by the party responsible for compliance could void the user's authority to operate this equipment.

SAFETY CONSIDERATIONS

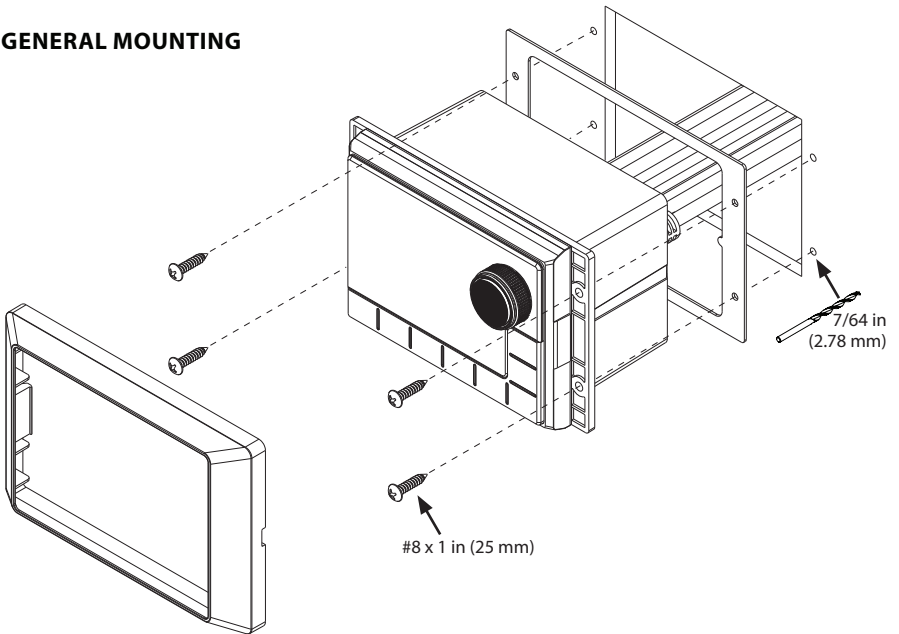
- Only use this product in vehicles with 12 volt, negative-ground electrical systems. This product is not certified or approved for use in aircraft.
- Securely mount this product so that it does not come loose in the event of a collision, sudden jolt or as a result of repeated vibrations during normal use.
- Do not replace the power wire fuse with one of a different value. Never bypass the fuse.
- Operate your audio system in a manner that still allows you to hear necessary noises to operate your vessel safely (horns, sirens, etc.).

INSTALLATION CONSIDERATIONS

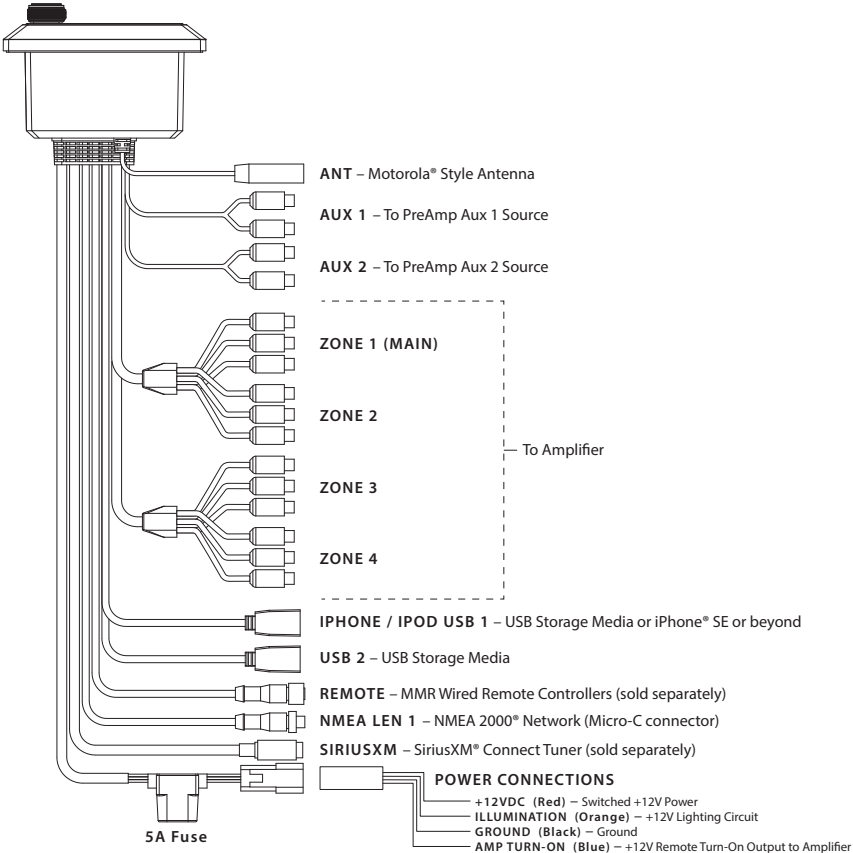
- Read this manual completely before installation. Professional installation is recommended.
- Install in a dry, well-ventilated location that does not interfere with your factory-installed systems. If a dry environment is not available, a location that is not exposed to heavy splashing may be used.
- While this product is designed to be water-resistant, it should never be submerged under water or subjected to high-pressure water spray.
- Before drilling, verify that you will not be drilling into an exterior panel/hull, fuel tank, gas/brake line, wiring harness, or other vital system.
- Carefully route all system wiring away moving parts and sharp edges; secure with cable ties or wire clamps and use grommets and loom where appropriate to protect from sharp edges.



GENERAL MOUNTING



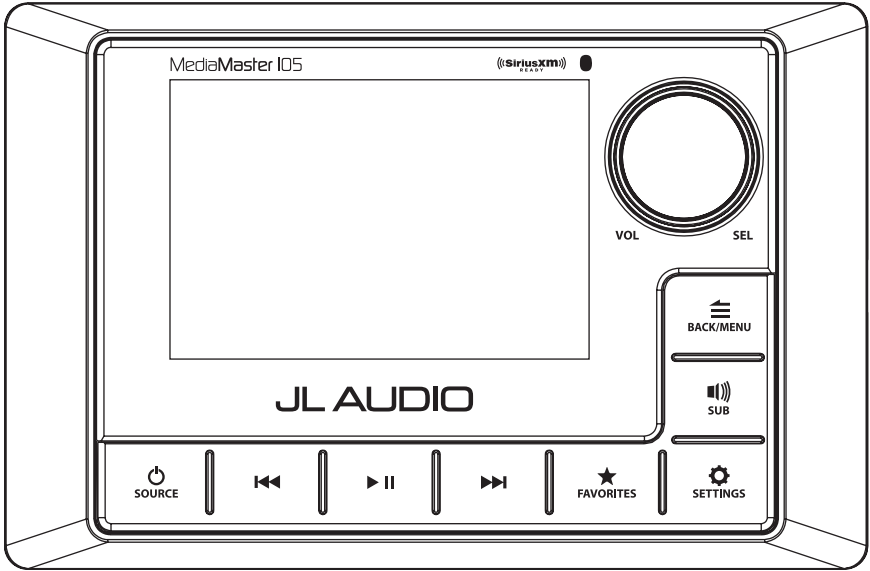
GENERAL CONNECTIONS



WIRING & HARNESS CONNECTIONS









Label	Wire Color	Connection	
+12VDC	Red	Switched Positive (+12V) Source • Install 5A fuse at connection point	
GROUND	Black	Metal Chassis Ground or Negative Battery Post • Make all ground connections at the same location	
ILLUMINATION	Orange	Positive (+12V) Lighting Circuit	
AMP TURN-ON	Blue	Positive (+12V) Turn-On Output	
Label	Description	Connection	Notes
ZONE 1 (MAIN)	Black RCA	Left Channel Signal Output	See Audio Zone Setup on pages 18-19 for configurable settings
	Red RCA	Right Channel Signal Output	
	Clear RCA	Subwoofer Signal Output	
ZONE 2	Black RCA	Left Channel Signal Output	
	Red RCA	Right Channel Signal Output	
	Clear RCA	Subwoofer Signal Output	
ZONE 3	Black RCA	Left Channel Signal Output	
	Red RCA	Right Channel Signal Output	
	Clear RCA	Subwoofer Signal Output	
ZONE 4	Black RCA	Left Channel Signal Output	
	Red RCA	Right Channel Signal Output	
	Clear RCA	Subwoofer Signal Output	
AUX 1	Black RCA	Left Channel Signal Input	2V or 1V RMS Input Sensitivity
	Red RCA	Right Channel Signal Input	
AUX 2	Black RCA	Left Channel Signal Input	
	Red RCA	Right Channel Signal Input	
SIRIUSXM	10-pin Connector	Connect to SiriusXM-Connect Vehicle Tuner (sold separately)	
ANT	Antenna	Connect to Motorola style antenna	
IPHONE / IPOD USB 1	USB 1 Connection	USB connection for iPhone®/iPod® (MFi Certified) or USB storage device (2.1 A charging output)	
USB 2	USB 2 Connection	USB connection for media player or USB storage device (500 mA charging output)	
REMOTE	5-pin Threaded Connector	Connect to MMR wired remote controllers (sold separately)	
NMEA LEN 1	5-pin NMEA 2K Micro-C Connector	Connect to MMR-40 Network Controller or NMEA 2000® network	

GENERAL CONTROLS



GENERAL CONTROL FUNCTIONS

Below is a list of general commands, including many common operations. The functionality of each control will vary depending on the current source and menu selected.

 SOURCE	Source/ Power	<ul style="list-style-type: none"> • Press to turn the unit ON • Press to display the SOURCE: Select menu • Press and hold to turn the unit OFF 		
VOL SEL	Volume/ Select	<ul style="list-style-type: none"> • Rotate to adjust volume • Rotate to scroll thru menu options • Press to enter selected options 	<ul style="list-style-type: none"> • Rotate/press to access/adjust the Audio Zone Level menu screen (see page 15 for more info) 	
 SUB	SUB	<ul style="list-style-type: none"> • Press to access subwoofer trim settings • Press VOL/SEL to advance through each zone's subwoofer trim level • Rotate VOL/SEL to adjust the selected subwoofer trim volume 		
 BACK/MENU	Back/ Menu	<ul style="list-style-type: none"> • Press to go back or return to the Now Playing Screen (AM/FM/AUX1/AUX2) • Press to access main menu options (SiriusXM®/HD Radio™/DAB+/USB1/USB2/Bluetooth®) 		
 FAVORITES	Favorites	<ul style="list-style-type: none"> • Press and hold to store a channel (AM/FM/SiriusXM) as a preset (star will turn solid) • Press to view your list of stored presets and the Favorites: Edit menu. 		
 SETTINGS	Settings	<ul style="list-style-type: none"> • Press and hold to access the System Settings: Main Menu • Press to access the Audio Zone: Tone & Balance menu • From a highlighted zone in the Audio Zone Level menu, press (and repeat) to quickly change the Level Control Mode (Relative, Absolute, Off). 		
	Forward	<p>Press to:</p> <ul style="list-style-type: none"> • Tune to the next frequency (AM/FM) or next channel (SiriusXM/DAB+) • Select the next track (USB1/USB2/Bluetooth) <p>Press and hold to:</p> <ul style="list-style-type: none"> • Seek to the next channel (FM) • Skip forward ten frequency steps (AM) • Initiate faster tuning (SiriusXM/DAB+). • Fast-forward (USB1/USB2) 		
	Backward	<p>Press to:</p> <ul style="list-style-type: none"> • Tune to the previous frequency (AM/FM) or previous channel (SiriusXM/DAB+) • Select the previous track (USB1/USB2/Bluetooth) <p>Press and hold to:</p> <ul style="list-style-type: none"> • Seek to the previous channel (FM) • Skip backward ten frequency steps (AM) • Initiate faster tuning (SiriusXM/DAB+). • Fast-rewind (USB1/USB2) 		
	Mute/ Pause/ Resume/	<ul style="list-style-type: none"> • Press to mute audio (AM/FM/SiriusXM/DAB+/AUX1/AUX2) • Press to pause or resume the current selection (USB1/USB2/Bluetooth) 	<ul style="list-style-type: none"> • When the Audio Zone Levels screen is displayed, press to mute all audio (AM/FM/SiriusXM/DAB+/AUX1/AUX2/USB1/USB2/Bluetooth) 	<ul style="list-style-type: none"> • Press and hold to access the USB: Play Options menu (USB)

BLUETOOTH® AUDIO

You may wirelessly stream audio from a Bluetooth compatible device from up to 35 ft. away (11 m). Up to 8 devices can be paired to the MM105, but only one streaming device can connect at one time.

Pairing a new device:

1. Press **SOURCE** on the MM105 to access the **SOURCE: Select** menu.
2. Rotate **VOL/SEL** to highlight **Bluetooth** and press to enter **Bluetooth: Pairing Mode**.
3. Enable Bluetooth on your streaming device and scan for nearby devices; select MM105 (or your custom name) from your list of available devices to connect. Once connected, you may control your audio selections with the MM105 using the controls listed on page 9 or directly from your device.

Options for managing paired or additional Bluetooth devices can be accessed from the **Bluetooth: Main Menu**.

1. To access the **Bluetooth: Main Menu**, press **BACK/MENU** while in Bluetooth mode, then use **VOL/SEL** to make your selections.

USB CONNECTIONS

The MM105 includes two ports to connect with USB storage class devices (thumb drive, digital audio player, etc.).

USB 1: High-speed connection for use with iPhone®/iPod® (MFi Certified) or USB storage device (2.1 A charging output)

USB 2: Full-speed USB storage device connection (500 mA charging output)

Once connected, you may control your audio selections with the MM105 using the controls listed on page 9 or directly from your device.

! IMPORTANT

- Properly secure the connected device before driving to prevent damage from dropping or sudden acceleration/braking.
- Control, functionality and display may vary depending on the model and version of iPhone® connected.
- When connected via USB port, make sure to unpair or disable the Bluetooth connection to avoid possible playback conflicts.
- If you experience abnormal performance during operation, disconnect the iPhone® and check its condition. Restart your iPhone® if performance does not improve.
- “Made for iPhone” means that an electronic accessory has been designed to connect specifically to an iPhone® and has been certified by the developer to meet Apple performance standards. Apple is not responsible for the operation of this device or its compliance with safety and regulatory standards. Please note that the use of this accessory with an iPhone® may affect wireless performance.
- iPhone®, Lightning and all related marks and logos are trademarks of Apple Inc., registered in the U.S. and other countries.

SIRIUSXM® SATELLITE RADIO

Only SiriusXM® brings you more of what you love to listen to, all in one place. Get over 140 channels, including commercial-free music plus the best sports, news, talk, comedy and entertainment. Welcome to the world of satellite radio. A SiriusXM Vehicle Tuner and Subscription are required. For more information, visit www.siriusxm.com.

Activating Your SiriusXM Subscription

After installing your SiriusXM Connect tuner and antenna, power on your MM105 and select SiriusXM mode. You should be able to hear the SiriusXM preview channel on Channel 1. If you cannot hear the preview channel, please check the installation instructions to make sure your SiriusXM Connect tuner is properly installed.

After you can hear the preview channel, tune to Channel 0 to find the Radio ID of your tuner. In addition, the Radio ID is located on the bottom of the SiriusXM Connect Vehicle Tuner and its packaging. You will need this number to activate your subscription. Write the number down for reference.

Note: the SiriusXM Radio ID does not include the letters I, O, S or F.

In the USA, you can activate online or by calling SiriusXM Listener care:

- Visit www.siriusxm.com/activatenow
- Call SiriusXM Listener Care at 1-866-635-2349

For Canadian Subscription, please contact:

- Visit www.siriusxm.ca/activatexm
- Call XM Customer Care at 1-877-438-9677

As part of the activation process, the SiriusXM satellites will send an activation message to your tuner. When your radio detects that the tuner has received the activation message, your radio will

display: "Subscription Updated". Once subscribed, you can tune to channels in your subscription plan.

Note: The activation process usually takes 10 to 15 minutes, but may take up to an hour. Your radio will need to be powered on and receiving the SiriusXM signal to receive the activation message.

Parental Controls

Some SiriusXM channels contain mature content. When the Parental Controls feature is enabled, channels with mature content are restricted and will require a 4-digit lock code to access.

Enabling Parental Controls

1. Press **BACK/MENU** to access the **SiriusXM: Main Menu**.
2. Turn **VOL/SEL** to **Parental Controls** and press to enter.
3. Press **VOL/SEL** to select **Lock Mature Channels**. After, you must enter a 4-digit lock code to lock mature content channels. (Parental Control default passcode: 0000)
4. Use **VOL/SEL** to enter the 4-digit lock code and select **Save** when finished.

Changing the Lock Code

1. Press **BACK/MENU** to access the **SiriusXM: Main Menu**.
2. Turn **VOL/SEL** to **Parental Controls** and press to enter.
3. Turn **VOL/SEL** to **Edit Lock Code** and press enter.
4. Use **VOL/SEL** to enter the current 4-digit lock code and select **Enter** when finished.
5. Use **VOL/SEL** to enter the new lock code and select **Enter** to confirm. **Make sure to save your 4-digit lock code for future reference.**

SIRIUSXM MAIN MENU

This allows access to the SiriusXM operational menu options. Refer to the table below for available settings and functionality.

1. Press and hold **BACK/MENU** to access the **SiriusXM: Main Menu**.
2. Turn **VOL/SEL** to highlight one of the menu settings listed in the table below and press to enter.
3. Use **VOL/SEL** to make selections.

Setting	Function
Now Playing	Return to the Now Playing Screen
Browse By Channel	View list of available SiriusXM channels
Browse By Category	View list of available SiriusXM channels by category
My Account	View your SiriusXM account status, Radio ID and Reset Tuner command
Parental Controls	Settings for access to channels containing mature content
Direct Tune	Allows entry for direct channel selection

Album Art

Album art can be displayed for most of the SiriusXM music channels. When album art is not available, the channel logo or the SiriusXM logo will be displayed.

Resetting SiriusXM Tuner Settings

A reset will restore all presets and settings, including parental controls, back to their factory defaults.

1. Press **BACK/MENU** to access the **SiriusXM: Main Menu**.
2. Turn **VOL/SEL** to **My Account** and press to enter.
3. Turn **VOL/SEL** to **Reset Tuner** and press to enter.
4. Use **VOL/SEL** to select **Confirm**.

Sirius, XM and all related marks and logos are trademarks of Sirius XM Radio Inc. All rights reserved.

SYSTEM SETTINGS MAIN MENU

This menu allows access the main operational settings and features of your MM105. Refer to the table below for available settings and functionality.

1. Press and hold **SETTINGS** to access the **System Settings: Main Menu**.
2. Turn **VOL/SEL** to highlight one of the menu settings listed in the table below; press to select.
3. Use **VOL/SEL** to make selections.

Setting	Function
Name this Device	Create a custom name to be displayed on connected Bluetooth devices and NMEA 2000® networks
Audio Zone Setup	Configure settings for each set of audio zone outputs
AUX Input Sensitivity	Configure the AUX input sensitivity: 2V or 1V RMS (default)
Diagnostic	Displays serial number, hardware and software version info
Display	Configures display and brightness settings
Low Voltage Alert	Notifies of low supply voltage conditions (see below for more info)
Scrolling Text	Enables continuous scrolling of available RDS/track text info
Tuner Region	Configures AM/FM tuner range/scale for a specific region; DAB+ replaces SiriusXM beyond North America
Power-up Settings	Configures display activation upon connection to power.

Low Voltage Alert

This built-in alert notifies when the +12VDC supply voltage drops below 10 volts. If triggered, the unit will enter Safe Mode and a warning tone will be heard through the speakers. A warning will also display on-screen with instructions to turn the unit off until normal operating voltage is restored.

1. Press and hold **SETTINGS** to access the **System Settings: Main Menu**.
2. Turn **VOL/SEL** to **Low Voltage Alert** and press to enter.
3. Turn **VOL/SEL** to select ON or OFF and press to enter.

AUDIO ZONE SETUP

The MM105 is equipped with four sets of low-voltage, line-level RCA outputs to send audio signals to your aftermarket amplifiers/equipment. Each output pair delivers full-range, low-distortion audio, arranged into four zones. Depending on your equipment and vessel, this will allow you to group speakers of an area together for flexibility and control of audio levels at separate zones. For example, you may prefer to reduce the listening level in an interior cabin, while keeping a louder audio level on the main deck.

Access the **Audio Zone Setup** menu to configure the functionality of each zone.

1. Press and hold **SETTINGS** to access the **System Settings: Main Menu**.
2. Press **VOL/SEL** to select **Audio Zone Setup**.
3. Use **VOL/SEL** to make selections.

Refer to the table below and the following page for each zone's available settings and functionality.

Zone	Menu	Setting 1	Setting 2
Z1: Zone 1 Z2: Zone 2 Z3: Zone 3 Z4: Zone 4	Level Control Mode	Relative	
		Absolute	
		Fixed	4V RMS Max (default) 2V RMS Max 1V RMS Max
		Off	
	Rename Zone	Bow, Bridge, Cabin, Cockpit, Galley, Helm, Stateroom 1, Stateroom 2, Tower, Transom	
		Custom Name	Alphanumeric Input
		Factory Default	
	Max Volume Limit	Max Vol Limit	
	Sub 1 Sub 2 Sub 3 Sub 4	LPF (Low Pass Filter)	Off (default) 60 Hz 80 Hz 100 Hz
		Sub Off	
Z2: Zone 2 Z3: Zone 3 Z4: Zone 4	Tone Control Mode	Same as Zone 1	
		Independent Tone Control	

SIRIUSXM TROUBLESHOOTING

Advisory messages may appear on the display when a SiriusXM-Connect Vehicle Tuner is connected to the MM105. Refer to the table below for an explanation and suggested corrective actions.

Advisory Message	Description
Check Antenna	<p>The radio has detected a fault with the SiriusXM antenna. The antenna cable may be either disconnected or damaged.</p> <ul style="list-style-type: none"> • Verify that the antenna cable is connected to the SiriusXM Connect Vehicle Tuner. • Inspect the antenna cable for damage and kinks. Replace the antenna if the cable is damaged. • SiriusXM products are available at your local audio retailer or online at www.shop.siriusxm.com.
Check Tuner	<p>The radio is having difficulty communication with the SiriusXM Connect Vehicle Tuner. The tuner may be disconnected or damaged.</p> <ul style="list-style-type: none"> • Verify that the SiriusXM Connect Vehicle Tuner cable is securely connected to the radio.
No Signal	<p>The SiriusXM Connect Vehicle Tuner is having difficulty receiving the SiriusXM satellite signal.</p> <ul style="list-style-type: none"> • Verify that your vehicle/vessel is outdoors with a clear view of the sky. • Verify that the SiriusXM antenna is mount on the exterior. • Move the SiriusXM antenna away from any obstructions. • Inspect the antenna cable for damage and kinks. • Consult the SiriusXM Connect Vehicle tuner installation manual for more information on antenna installation. Replace the antenna if the cable is damaged. SiriusXM products are available at your local audio retailer or online at www.shop.siriusxm.com.
Subscription Updated	<p>The radio has detected a change in your SiriusXM subscription status. Press VOL/SEL to clear the message.</p> <p>In the U.S.A., visit www.siriusxm.com or call 1-866-635-2349 if you have questions about your subscription.</p> <p>In Canada, visit www.siriusxm.ca or call 1-877-438-9677 if you have questions about your subscription.</p>
Channel Unavailable	<p>The channel that you have requested is not a valid SiriusXM channel or the channel you were listening to is no longer available. You may also see this message briefly when first connecting a new SiriusXM Connect Vehicle tuner.</p> <p>Visit www.siriusxm.com for more information about the SiriusXM channel lineup.</p>
Channel Unsubscribed	<p>The channel that you have requested is not included in your SiriusXM subscription package of the channel that you were listening to is no longer included in your SiriusXM subscription package.</p> <p>In the U.S.A., visit www.siriusxm.com or call 1-866-635-2349 if you have questions about your subscription package or would like to subscribe to this channel.</p> <p>In Canada, visit www.siriusxm.ca or call 1-877-438-9677.</p>
Channel Locked	<p>The channel that you have requested is Locked by the radio Parental Control feature. See Parental Controls, page 13 for more information on the Parental Control feature and how to access locked channels.</p>
No Content	<p>TuneScan is not available. Perform the operation with another preset channel.</p>

SPECIFICATIONS

Electrical	
Operating Voltage	14.4V DC (10V – 15.9V allowable)
Maximum Current Draw	1.5 A
Standby Current Draw	120 mA
Fuse Value	5 A
NMEA 2000® LEN	1 (Micro-C connector)
Operating Temp Range	-4 F to +158 F (-20 C to +70 C)
Display	
Size / Type	3.5-inch / TFT LCD backlit
Resolution	320 x 480
Audio Outputs/Inputs	
Output Channels	One stereo pair and mono subwoofer RCA plugs per zone
Output Zone Configuration	Relative, Absolute, Fixed or Off
Maximum Output Voltage	Relative or Absolute: 4V RMS Fixed: Selectable 4V/2V/1V RMS
Output Impedance	250 ohm
Input Channels	Two stereo pairs of RCA plugs (2V/1V RMS Input Sensitivity)
Tuner	
FM Tuner with RDS	87.5 MHz to 107.9 MHz (0.2 MHz step)
AM Tuner	530 kHz to 1710 kHz (10 kHz step)
DAB+ Tuner	170 MHz to 230 MHz
Favorites	24 presets across all tuners/bands
Bluetooth®	
Profile	A2DP v1.2, AVRCP v1.4
Core Specification	Version 2.1 + EDR
Codec	SBC, Qualcomm® aptX™ audio
Connection Range	Up to 35 ft / 11 m
USB	
Interface	USB 2.0
Maximum Current Output	USB1: 2.1 A / USB2: 500 mA
Supported Audio Formats	MP3, MP4, WAV, AAC, M4A, M4B
Apple Compatibility	iPhone SE or beyond (functionality contingent upon compatible iOS release)
Dimensions	
Unit W x H x D	5.94 in. x 3.90 in. x 3.94 in. (151 mm x 99 mm x 100 mm)
Mounting Hole W x H	4.72 in. x 3.25 in. (120 mm x 83 mm)

Limited Warranty – Electronics (USA)

JL Audio warrants this product to be free of defects in materials and workmanship for a period of **two (2) years** from the original date of purchase.

This warranty is not transferable and applies only to the original purchaser from an authorized JL Audio dealer. Should service be necessary under this warranty for any reason due to manufacturing defect or malfunction, JL Audio will (at its discretion), repair or replace the defective product with new or remanufactured product at no charge. Damage caused by the following is not covered under warranty: accident, misuse, abuse, product modification or neglect, failure to follow installation instructions, unauthorized repair attempts, misrepresentations by the seller. This warranty does not cover incidental or consequential damages and does not cover the cost of removing or reinstalling the unit(s). Cosmetic damage due to accident or normal wear and tear is not covered under warranty.

Products installed as original equipment by boat manufacturers are covered by the boat manufacturer's warranty, not JL Audio, Inc.

Warranty is void if the product's serial number has been removed or defaced.

Any applicable implied warranties are limited in duration to the period of the express warranty as provided herein beginning with the date of the original purchase at retail, and no warranties, whether express or implied, shall apply to this product thereafter. Some states do not allow limitations on implied warranties, therefore these exclusions may not apply to you. This warranty gives you specific legal rights, and you may also have other rights, which vary from state to state.

If you need service on your JL AUDIO product:

All warranty returns should be sent to JL Audio 's Electronics Service Facility freight-prepaid through an authorized JL Audio dealer and must be accompanied by proof of purchase (a copy of the original sales receipt). Direct returns from consumers or non-authorized dealers will be refused unless specifically authorized by JL Audio with a valid return authorization number. Warranty expiration on products returned without proof of purchase will be determined from the manufacturing date code. Coverage may be invalidated as this date is previous to purchase date. Non-defective items received will be returned freight-collect. Customer is responsible for shipping charges and insurance in sending the product to JL Audio. Freight damage on returns is not covered under warranty.

For Service Information in the U.S.A. please contact

JL Audio Customer Service: (954) 443-1100 (9:00 AM – 5:00 PM EST)

JL Audio Technical Support: www.jlaudio.com/support

JL Audio, Inc.

10369 North Commerce Pkwy.

Miramar, FL 33025

(Do not send product for repair to this address)

International Warranties:

Products purchased outside the United States of America are covered only by that country's distributor and not by JL Audio, Inc.